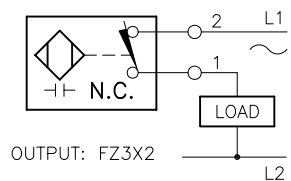
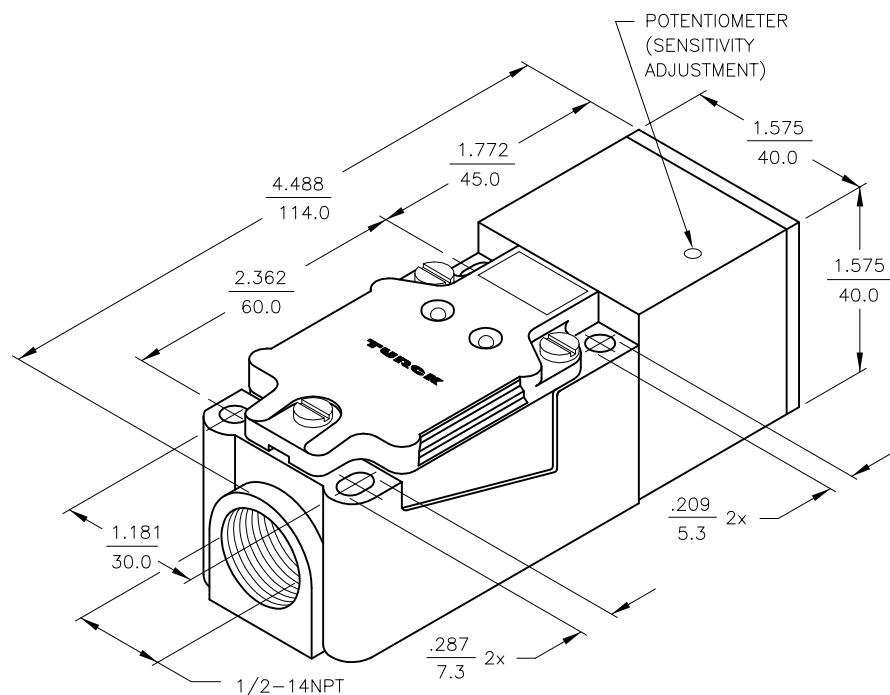
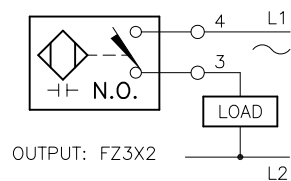


## WIRING DIAGRAMS



-OR-



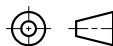
## SPECIFICATIONS

OPERATING VOLTAGE	20-250 VAC
LINE FREQUENCY	40-60 Hz
HYSTERESIS	2-20% (5% TYPICAL)
VOLTAGE DROP ACROSS CONDUCTING SENSOR	≤ 7.0 V at 500 mA
OUTPUT FUNCTION	CONNECTION PROGRAMMABLE NORMALLY OPEN OR NORMALLY CLOSED
SHORT-CIRCUIT PROTECTED	NO
CONTINUOUS LOAD CURRENT	≤ 500 mA
RESIDUAL CURRENT	≤ 1.7 mA
MINIMUM LOAD CURRENT	≥ 5.0 mA
INRUSH CURRENT	≤ 8.0 A (≤ 10 ms/5 Hz)
TIME DELAY BEFORE AVAILABILITY	≤ 60 ms
POWER-ON EFFECT PROTECTION	INCORPORATED
PROTECTION AGAINST TRANSIENTS	5 kV, 10 ms, 10 kΩ
OPERATING TEMPERATURE	-25°C to +70°C (-13°F to +158°F)
ENCLOSURE	MEETS NEMA 1, 3, 4, 6, 13 AND IEC IP67
SHOCK	30 g, 11 ms
VIBRATION	55 Hz, 1 mm AMPLITUDE (IN ALL 3 PLANES)
LED FUNCTION	GREEN: POWER ON RED: OUTPUT ENERGIZED
SENSING RANGE	20 mm = .787" (NOMINAL)
SWITCHING FREQUENCY	20 Hz
REPEATABILITY	≤ 2% of RATED OPERATING DISTANCE

### RELATED DOCUMENTS

- 1.
- 2.
- 3.
- 4.

### 3RD ANGLE PROJECTION



THIS DRAWING IS CONFIDENTIAL AND THE PROPERTY OF TURCK INC. USE OF THIS DOCUMENT WITHOUT WRITTEN PERMISSION IS PROHIBITED.

# TURCK

3000 CAMPUS DRIVE  
MINNEAPOLIS, MN 55441  
1-800-544-7769  
(763) 553-7300  
(763) 553-0708 fax  
www.turck.us

MATERIAL  
PBT-GF30-VO  
PLASTIC

FINISH

ALL DIMENSIONS DISPLAYED ON THIS DRAWING ARE FOR REFERENCE ONLY

CONTACT TURCK FOR MORE INFORMATION

DRFT SMW  
APVD

DATE 3/26/87  
SCALE NONE

UNIT OF MEASUREMENT  
**INCH [ MILLIMETER ]**

DO NOT SCALE THIS DRAWING

DESCRIPTION  
BC20-CP40-FZ3X2/S10

IDENTIFICATION NO.

23115

REV  
D

FILE: 23115

SHEET 1 OF 1

D	UPDATE ID NUMBER PER HARMONIZATION PROJECT	CBM	12/21/17	
REV	DESCRIPTION	BY	DATE	ECO NO.